



**640-863**

**Designing for Cisco Interwork Solutions**

Q&A

DEMO Version

Copyright (c) 2007 Chinatag LLC. All rights reserved.

## **Important Note Please Read Carefully**

For demonstration purpose only, this free version Chinatag study guide contains **10** full length questions selected from our full version products which have more than **200** questions each.

This Study guide has been carefully written and compiled by Chinatag certification experts. It is designed to help you learn the concepts behind the questions rather than be a strict memorization tool. Repeated readings will increase your comprehension.

For promotion purposes, all PDF files are **not** encrypted. Feel free to distribute copies among your friends and let them know Chinatag website.

## **Study Tips**

This product will provide you questions and answers along with detailed explanations carefully compiled and written by our experts. Try to understand the concepts behind the questions instead of cramming the questions. Go through the entire document at least twice so that you make sure that you are not missing anything.

## **Latest Version**

We are constantly reviewing our products. New material is added and old material is revised. Free updates are available for 90 days after the purchase. You should check the products page on the <http://www.chinatag.com> website for an update 3-4 days before the scheduled exam date.

Please tell us what you think of our products. We appreciate both positive and critical comments as your feedback helps us improve future versions. Feedback on specific questions should be send to [feedback@chinatag.com](mailto:feedback@chinatag.com).

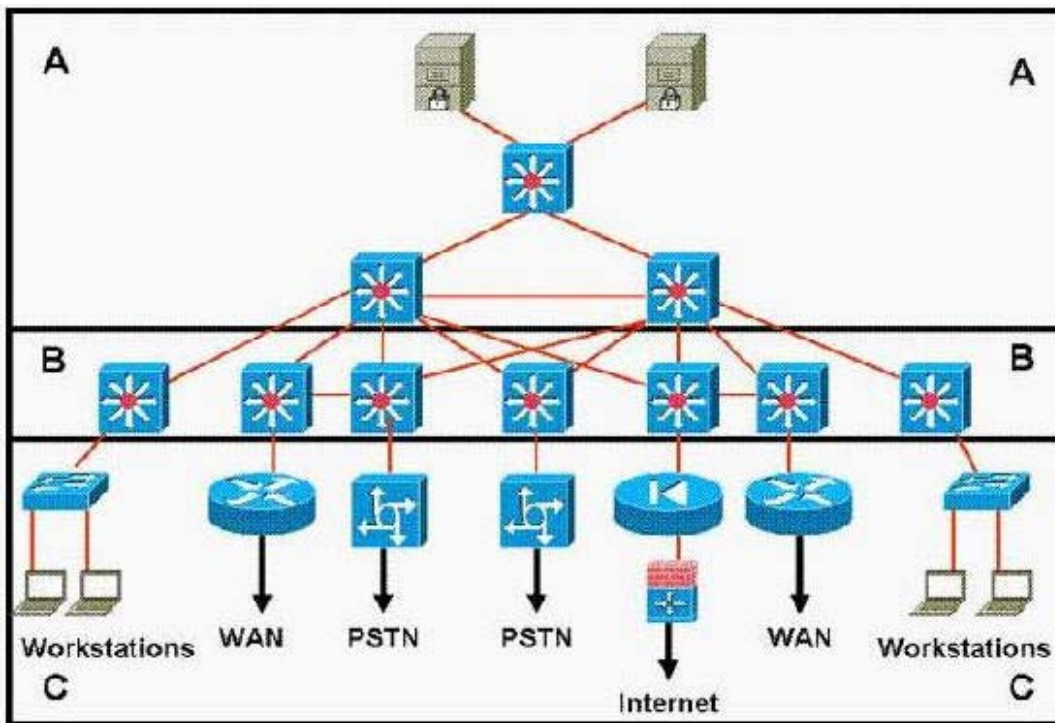
Thanks for purchasing our products and look forward to supplying you with all your Certification training needs.

Good studying!

Technical and Support Team  
Chinatag LLC.

**Question: 1**

Refer to the exhibit.



Which statement accurately represents the characteristics of the core layer in this design?

- A - QoS should be performed only in the core.
- B - Load balancing should never be implemented or used in the core.
- C - Access lists should be used in the core to perform packet manipulation.
- D - It is acceptable to use a partial mesh in the core if it is connected to each device by multiple paths.
- E - Policy-based traffic control is implemented in the core to enable prioritization, ensuring the best performance for all time-critical applications.

**Answer: D**

**Question: 2**

Which statement accurately describes one difference between a small office and medium office topology?

- A - Small offices commonly use Rapid PVST+ for Layer3 deployments.
- B - Medium offices commonly use integrated route and switching platforms.
- C - Medium offices use integrated 10/100/1000 interfaces as Layer 2 trunks.
- D - Medium offices use external access switches to support LAN connectivity.

**Answer: D**

**Question: 3**

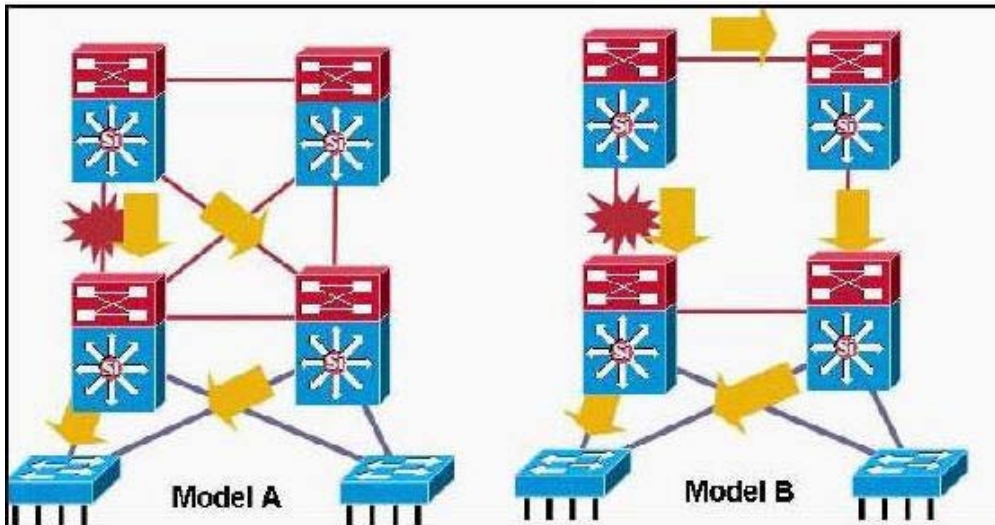
Which three factors best justify WAN link redundancy between geographically dispersed sites? (Choose three.)

- A - Important traffic flows
- B - Lack of speed
- C - High link utilization
- D - Uncertain reliability
- E - Excessive packet transmission rate
- F - High expense of transmitting data

**Answer: A, B, D**

**Question: 4**

Refer to the exhibit.



Which two statements describe why Model A is the recommended design for routing between Building Distribution switches and Campus Core switches? (Choose two.)

- A - It uses timer-based non-deterministic convergence.
- B - It is software-based, providing fast convergence to the remaining path.
- C - Routes are not summarized from distribution to the core.
- D - The Layer 3 redundant equal cost links support fast convergence.
- E - A link or box failure does not require routing protocol convergence.

**Answer: D, E**

**Question: 5**

An organization needs a WAN Transport technology that meets these criteria:

has a low initial cost provides  
 low-to-medium BW has  
 medium-to-high latency and jitter

1.	has a low initial cost
2.	provides low-to-medium BW
3.	has medium-to-high latency and jitter

Which technology would you suggest?

- A - DSL
- B - X.25
- C - ISDN
- D - Wireless
- E - Analog modem

**Answer: A**

**Question: 6**

Which two of these represent a best practice implementation of a Split MAC LWAPP deployment in a Cisco Unified Wireless Network? (Choose two.)

- A - Each wireless client authentication type maps to a shared SSID which in turn maps to a common shared VLAN.
- B - Each wireless client authentication type maps to a unique SSID which in turn maps to a unique VLAN.
- C - Each wireless client authentication type maps to a unique SSID which in turn maps to a common shared VLAN.
- D - 802.1Q trunking extends from the wired infrastructure to the access point for translation into SSID(s).
- E - 802.1Q trunking extends from the wired infrastructure to a wireless LAN controller for translation into SSID(s).
- F - 802.1Q trunking extends from the wired infrastructure to a wireless LAN controller. Then the 802.1Q packet is encapsulated in LWAPP and sent to the access point for transmission over the SSID(s).

**Answer: B, E**

**Question: 7**

Which two statements represent advantages that the top-down network design process has over the bottom-up network design process? (Choose two.)

- A - Is able to provide the big picture
- B - Utilizes previous experience
- C - Takes less time to design a network
- D - Identifies appropriate technologies first
- E - Provides a design for current and future development

**Answer: A, E**

**Question: 8**

Which two of these are required for wireless client mobility deployment when using a Cisco Unified Wireless Network? (Choose two.)

- A - Assigned master controller
- B - Matching mobility group name
- C - Matching RF group name
- D - Matching RF power
- E - Matching security
- F - Matching RF channel

**Answer: B, E**

**Question: 9**

Which two VoIP characteristics are affected most by codec choice? (Choose two.)

- A - Voice quality
- B - Silent packet handling
- C - Voice packet header size
- D - Bandwidth required for voice calls

**Answer: A, D**

**Question: 10**

Which H.323 protocol controls call setup between endpoints?

- A - H.225
- B - H.245
- C - RAS
- D - RTCP

**Answer: A**